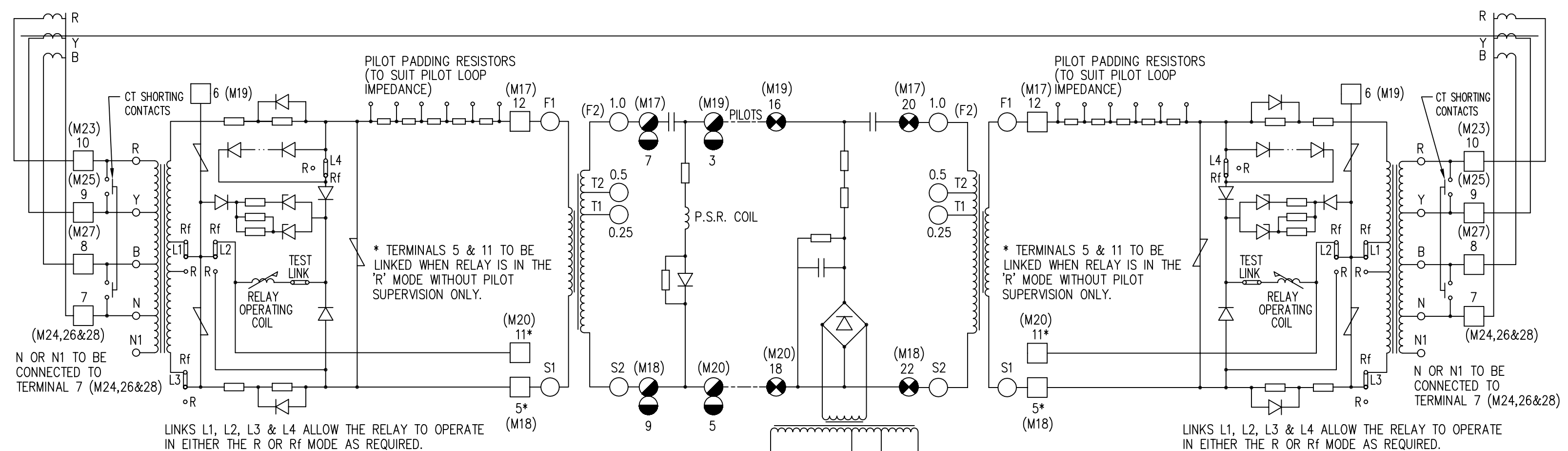
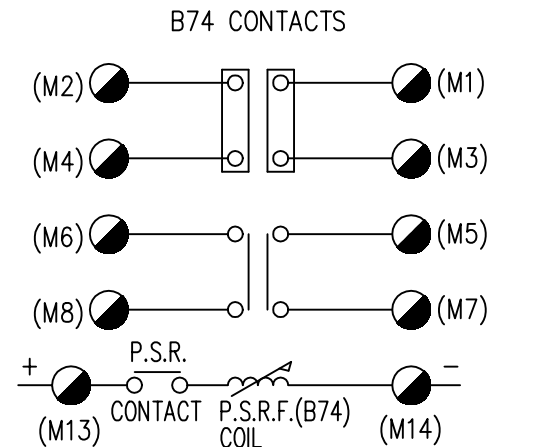
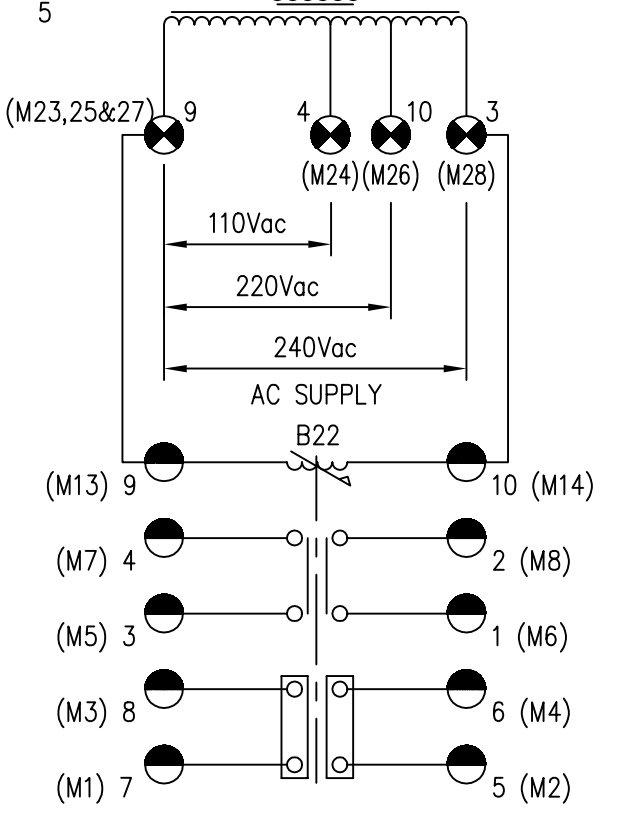


IF IN DOUBT ASK
DO NOT SCALE

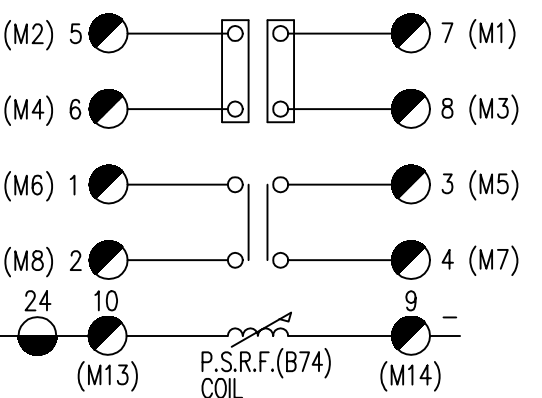


LINKS L1, L2, L3 & L4 ALLOW THE RELAY TO OPERATE IN EITHER THE R OR Rf MODE AS REQUIRED.

LINKS L1, L2, L3 & L4 ALLOW THE RELAY TO OPERATE IN EITHER THE R OR Rf MODE AS REQUIRED.

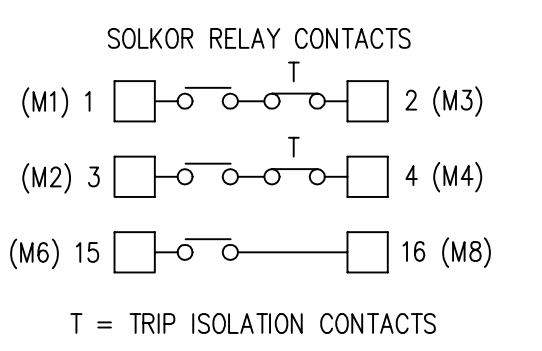


ARRANGEMENT 1: WHEN THE B74 AND B75 SUPERVISION RECEIVE EQUIPMENT IS HOUSED IN REYMOS OR EPSILON MODULAR SIZE4 CASE (5KV SCHEME ONLY).



ARRANGEMENT 2: WHEN THE B74 IS HOUSED IN A 2/3, REYMOS OR EPSILON MODULAR SIZE2 CASE AND THE SUPERVISION RECEIVE END IS HOUSED IN A 1.1/2 POLE CASE.

- KEY:**
- PSR - PILOT SUPERVISION RELAY (B75)
 - PSRF - PILOT SUPERVISION RELAY FOLLOWER (B74)
 - EXTERNAL CONNECTIONS ON SOLKOR Rf RELAY
 - EXTERNAL CONNECTIONS ON SOLKOR Rf RELAY ISOLATION TRANSFORMER
 - EXTERNAL CONNECTIONS ON SOLKOR Rf RELAY PILOT SUPERVISION RECEIVE END (B74 & B75) (R4/E4 MODULAR CASE).
 - ⊗ EXTERNAL CONNECTIONS ON SOLKOR Rf RELAY PILOT SUPERVISION SEND END (5KV) (R4/E4 MODULAR CASE) OR (1.1/2 POLE CASE).
 - EXTERNAL CONNECTIONS ON SOLKOR Rf RELAY 15KV PILOT SUPERVISION RECEIVE END (B75) (1.1/2 POLE CASE).
 - EXTERNAL CONNECTIONS ON SOLKOR Rf PILOT SUPERVISION RELAY FOLLOWER (B74) RECEIVE END (R2/E2 MODULAR CASE) OR (2/3 POLE).
 - A.C. SUPPLY SUPERVISION RELAY (B22) (R2/E2 MODULAR CASE) OR (2/3 POLE).



- MODULAR RELAY WIRING DIAGRAMS**
TERMINALS ARE SHOWN ON INDIVIDUAL CASES AS (M**) eg. (M20)
TERMINAL NUMBERS ARE IDENTICAL FOR EPSILON OR REYMOS CASES.
ALL MODULAR RELAYS ARE 5KV WITHSTAND ONLY.
- SOLKOR R/Rf RELAY IN MODULAR SIZE 6 CASE:
 - 2 CONTACT SOLKOR R/Rf RELAY IN REYMOS SIZE 6 CASE - 2651W10140
 - 3 CONTACT SOLKOR R/Rf RELAY IN REYMOS SIZE 6 CASE - 2651W10141
 - 3 CONTACT SOLKOR R/Rf RELAY IN EPSILON SIZE 6 CASE - 2651W50006
 - RECIEVE END MODULAR SIZE 4 CASE:
 - EPSILON CASE - 2659W50001, REYMOS CASE - 2659W10018
 - SEND END MODULAR SIZE 4 CASE:
 - EPSILON CASE - 2659W50002, REYMOS CASE - 2659W10019
 - B22 RELAY IN MODULAR SIZE 2 CASE:
 - EPSILON CASE - 2110W50024, REYMOS CASE - 2110W10002
 - B74 RELAY IN MODULAR SIZE 2 CASE:
 - EPSILON CASE - 2651W50003, REYMOS CASE - 2651W10129

- VEDETTE RELAY WIRING DIAGRAMS**
TERMINALS ARE SHOWN ON INDIVIDUAL CASES AS NUMBERS ONLY eg. 20
CASE VOLTAGE WITHSTAND AS STATED BELOW
- SOLKOR R/Rf RELAY IN VEDETTE 1 POLE CASE (5KV):
 - 2 CONTACT SOLKOR R/Rf RELAY - 2651W10020
 - 3 CONTACT SOLKOR R/Rf RELAY - 2651W10110
 - B75 RECEIVE END IN 1&1/2 POLE CASE (15KV) - 2659W10013.
 - SEND END IN 1&1/2 POLE CASE (15KV) - 2659W10011.
 - B22 AC SUPPLY SUPERVISION RELAY IN 2/3 POLE CASE (5KV) - 2659W10014.
 - B74 SUPERVISION FOLLOWER RELAY IN 2/3 POLE CASE (5KV) - 2659W10012.

NOT SUBJECT TO UPDATE
ONCE COPIED / PRINTED
OR DOWNLOADED

MATERIAL:		Copyright © 2002 VATECH REYROLLE ACP Ltd. Hebburn		REDRAWN AS CAD WITH EPSILON REFS ADDED ONLY MNG51/2216 RDW
Dimensions in millimetres ; Surface texture in micrometres. Machine where marked ✓ For explanation of dimensions, tolerances, notes etc. see B.S.308. Limit on untoleranced unmachined dimensions ± _____ Limits on untoleranced machined dimensions to B.S.4500; i.e. up to 6±0.1; over 30 to 120±0.3; over 315±0.8; over 6 to 30±0.2; over 120 to 315±0.5; General unmachined angular tolerance ± _____	Finish:	Title: SCHEMATIC DIAGRAM OF SOLKOR R/Rf RELAY IN Rf MODE WITH PILOT SUPERVISION AND ISOLATION TRANSFORMERS.	First used on:	10 ISSUE
	Treatment:	VATECH REYROLLE AUTOMATION, CONTROL & PROTECTION	Similar Articles:	02/01/02 DATE
		Original Scale:	Supersedes:	CHANGE NOTED
			Dr. No.	△
			2651W10010	
DRAWN RDWatson	CHECKED	APPROVED R.D.WATSON	DATE 23/07/02	IE OPS PCP Purch.Spec. TQ EAC CE STD A2